

HFS-252

Filter Separator Series



Description

The HENEK Fluid Purity Systems, HFS-252 Filter Separator is a compact, all-steel unit that provides the means for removal of water and particulate contamination from light viscosity, low density, and high interfacial tension liquids such as jet fuel, diesel fuel, and oils with demulsification capabilities like turbine oils.

This two stage filter/separator is built to hold coalescers and second-stage separator cartridges designed for the most efficient removal of water and solids by coalescing and gravity settling principles. The HFS-252 is designed to operate with minimal operator attention to provide restoration of the fluid to clean, dry product.

Installations

- Airports
- Bulk Plants
- Industrial
- Chemical
- Refineries
- Terminals
- Power Plants
- Loading Racks



HFS-252-6/4 (shown with options)

Standard Equipment

- Manual air release
- Manual water drain
- Local Pressure gauges
- Buna Gaskets
- 150 WPSI Design
- Liquid Level Gauge
- 150# T-Bolt Closure
- Flanged Inlet/Outlet

Options

- Automatic Air Release
- ASME Code Adder
- Differential Pressure Gauge
- Automatic Water Drain
- External Filter Bypass
- Skid Mounted with Drip Ring
- Sample Valve
- Thermal Relief Valve
- Viton Gasket

HFS252R4132803

HENEK

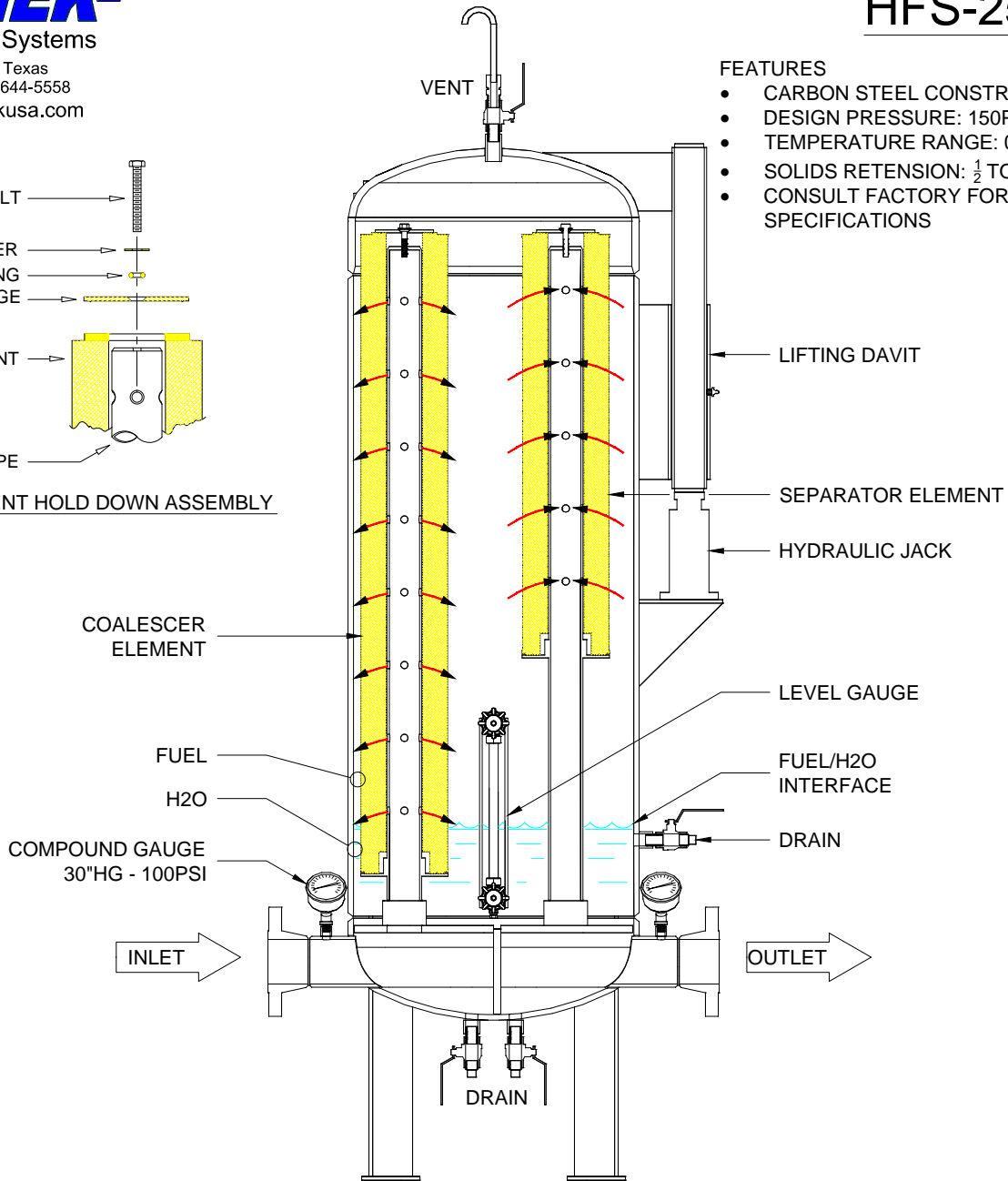
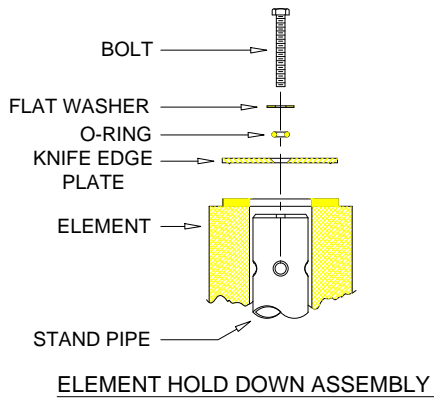
Fluid Purity Systems

Houston, Texas
 Phone: 713-644-5558
 www.henekusa.com

HFS-252

FEATURES

- CARBON STEEL CONSTRUCTION
- DESIGN PRESSURE: 150PSI
- TEMPERATURE RANGE: 0-250°F
- SOLIDS RETENTION: 1/2 TO 25MIC.
- CONSULT FACTORY FOR ADDITIONAL SPECIFICATIONS



MODEL NUMBER	VESSEL DIAMETER	GPM DIESEL	GPM JET	GPM TURBINE OIL	NO. COALESCING ELEMENTS	NO. SEPARATOR ELEMENTS	FLANGE SIZE
HFS-252-1/1	16"	50	100	10	1	1	2
HFS-252-2/1	16"	100	200	20	2	1	3
HFS-252-3/2	20"	150	300	30	3	2	4
HFS-252-4/3	24"	200	400	40	4	3	4
HFS-252-6/5	30"	300	600	60	6	5	6
HFS-252-10/8	36"	500	1000	100	10	8	8
HFS-252-12/10	36"	600	1200	120	12	10	8
HFS-252-14/12	42"	700	1400	140	14	12	8